

Powerful. Beautiful.

Excellence · Innovation

IPC22121EX



12.1 " XGA Industrial ATEX-Ex Panel PC

PanelMate's ATEX products have passed
ATEX EU explosion-proof certification



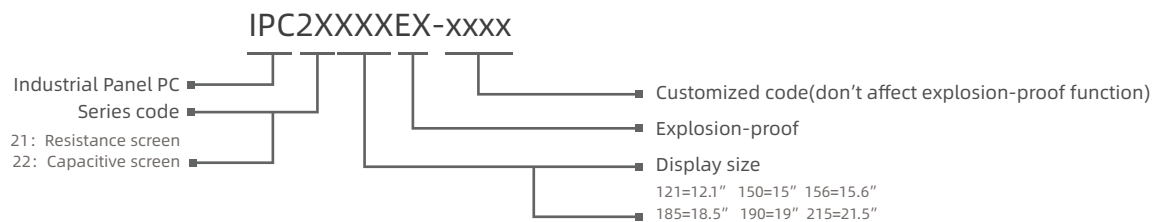
PANELMATE
Creative HMI Solution



Features

- Passed the ATEX-Ex EU protection certificate
- Display size: 12.1",15",15.6",18.5",19",21.5"
- Front panel/back cover: Aluminium-magnesium alloy
- Front panel/Rear: IP65 / IP65
- Screen Type: Multi-point capacitive touchscreen
- OS: Win7, Win8, Win10, Win11, Linux, etc
- Equipped with 2xIntel i210AT Gigabit network cards, 4xUSB ports
- Processor: Intel Celeron J6412 (don't support Win XP, Win7) /3855U/3865U and Intel skylake i3/i5/i7 multiple CPU optional
- Extendable WIFI/4G
- DC 9~36V

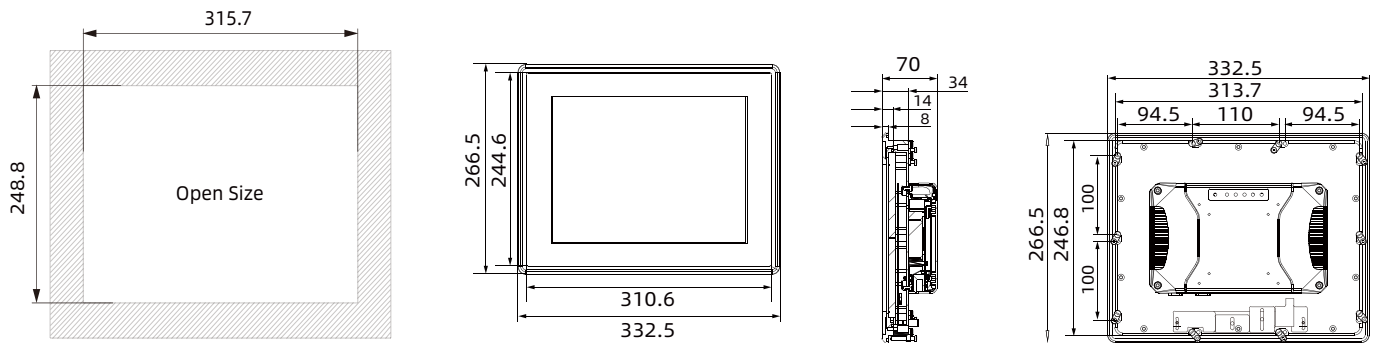
Namely Rule



Specifications

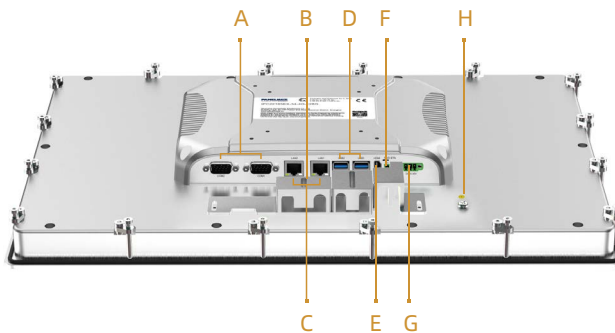
Model	IPC22121EX					
Processor	CPU	Intel®Celeron® processor J6412	Intel®Celeron® processor 3855U/3865	Intel®Core™i3 processor	Intel®Core™i5 processor	Intel®Core™i7 processor
	Frequency	Quad Core 2.0GHZ	Dual Core 1.6GHZ	Dual Core 2.3GHZ	Dual Core 2.8GHZ	Dual Core 3.1GHZ
	Cache	1.5MB	2MB	3MB	3MB	4MB
	Memory	DDR4 3200MT/s Max: 32GB	DDR4-1866/2133 Max: 32GB	DDR4-2133 Max: 32GB	DDR4-2133 Max: 32GB	DDR4-2133 Max: 32GB
Storage	1x2.5" SATA 3.0+1 x mSATA					
I/O	Network (LAN)	2xIntel i210 1000Mbps RJ45 with surge protection				
	Audio	Realtek ALC662VD audio controller,support 5.1 channels				
	USB	4xUSB3.0				
	COM	2xRS232/RS485 with surge protection, RS485 support automatic flow control				
	Expansion Slot	1xMin-Pcie X1, Support 4G LTE/WIFI/BT with Sim card slot				
Routine	Rear I/O	1xHDMI/ 2xGLAN/4xUSB/ 2xCOM/ AUDIO/DC IN/ Power Switch				
	Product Attribute	Built-in aluminium magnesium explosion-proof control panel PC				
	Housing	Front panel & back cover:Aluminium-magnesium alloy				
	Mounting	Embedded, VESA 100 with waterproof nut				
Power	Rear I/O	HDMI				
	Input Voltage	DC 9~36V input				
Physical	Power	34W				
	Dimension (WxHxD)	332.5mm x 266.6mm x 70mm (13.09" x 10.49" x 2.76)				
	Open Size (WxH)	315.7mm x 248.8mm (12.43" x 9.80")				
	Net Weight(kg)	3.6kg				
LED	Display Type	12.1" XGA TFT				
	Resolution	1024 x 768				
	Colors	16.7M				
	Active Area (WxH)	304.1mm x 228.1mm (11.97" x 8.98")				
	Backlight	LED				
	MTBF (hour)	50000hrs				
	Pixel Pitch (HxV)	0.24 x 0.24				
	Luminance(cd/m2)	350cd / m2				
	Contrast Ratio	800:1				
Touchscreen	Viewing Angle	(L)75 / (R)75 / (U)75 / (D)75				
	Touch Type	Multi-point capacitive touchscreen				
	Light Transmission	>85%				
	Controller	USB interface				
	Driver Support	Windows7, Window8, Windows10, Windows11, Linux, etc				
Environment	Multi-touch	10 points				
	Surface Hardness	Capacitive touchscreen: Mohs' Number 7H				
	Operating Temperature	0~55°C				
	Storage Temperature	-20~60°C				
	Relative Humidity	5~95% (Non condensation)				
Certification	Shock	Operating 10G peak acceleration(11 ms duration), follow IEC 60068-2-27				
	Vibration	Operating Random Vibration Test 5~500Hz, 1Grms@with HDD;2Grms@with SSD, follow IEC 60068-2-64				
	EMC	CE/FCC Class A				
	Protection	All IP65 waterproof and dustproof				
Certification		II 3 G Ex ec IIC T4 Gc				
		II 3 D Ex tc IIIC T135°C Dc				
		EN 60079-0:2018				
		EN 60079-7:2015 EN 60079-31:2014				

Technical Drawings unit: mm



Panel Cutout Dimensions: 315.7x 248.8mm (12.43 x 9.80in)

External I/O View



Interface definition:

- A: 2 x COM (RS232/RS485)
- B: Audio output
- C: 2 x LAN
- D: 4 x USB
- E: 1 x HDMI
- F: Power switch
- G: DC IN
- H: GND

Ordering Information

Part Number	Description
IPC22121EX	12.1" TFT LCD / ATEX Capacitive touch panel PC / DC9~36V Input / Resolution 1024x768 / J6412 /4G RAM / 128G mSATA / 2xLAN / 4xUSB / 1xHDMI

Optional Accessories

mSATA	128G / 256G / 512G / 1T
2.5" HDD	512G / 1T / 2T
RAM	4G / 8G / 16G / 32G

Packing List

Terminal	2-pin terminal
Terminal	3-pin terminal

Note: Package contents are subject to change without prior notice

Powerful. Beautiful.

Excellence · Innovation

IPC22150EX



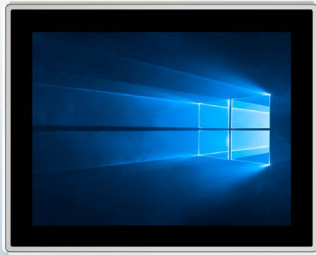
Shanghai Panelmate Electronics Co., Ltd.

15" XGA Industrial ATEX-Ex Panel PC

PanelMate's ATEX products have passed
ATEX EU explosion-proof certification



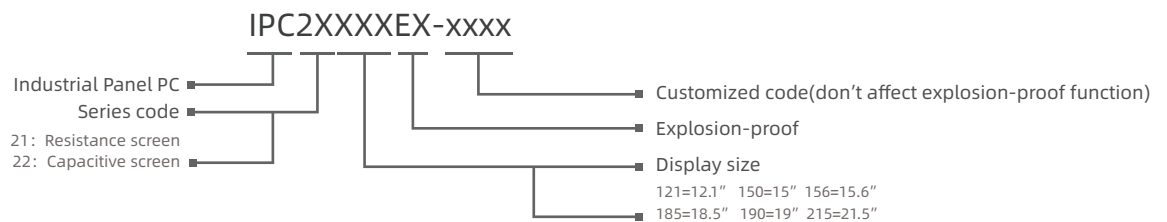
PANELMATE
Creative HMI Solution



Features

- Passed the ATEX-Ex EU protection certificate
- Display size: 12.1",15",15.6",18.5",19",21.5"
- Front panel/back cover: Aluminium-magnesium alloy
- Front panel/Rear: IP65 / IP65
- Screen Type: Multi-point capacitive touchscreen
- OS: Win7, Win8, Win10, Win11, Linux, etc
- Equipped with 2xIntel i210AT Gigabit network cards, 4xUSB ports
- Processor: Intel Celeron J6412 (don't support Win XP, Win7) /3855U/3865U and Intel skylake i3/i5/i7 multiple CPU optional
- Extendable WIFI/4G
- DC 9~36V

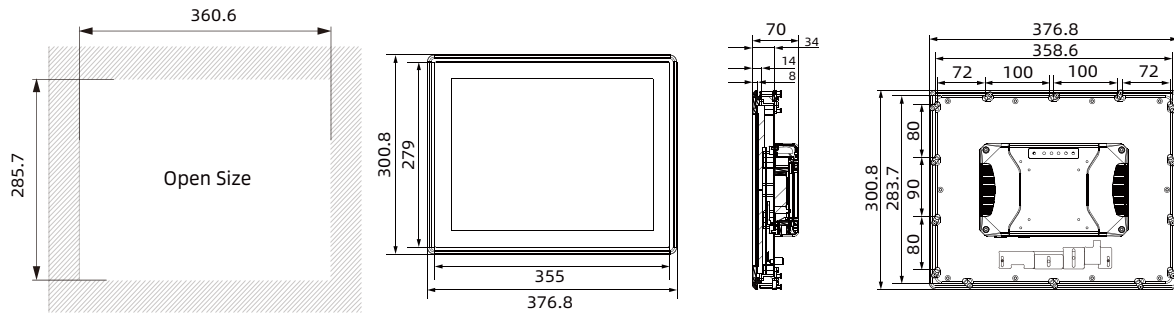
Namely Rule



Specifications

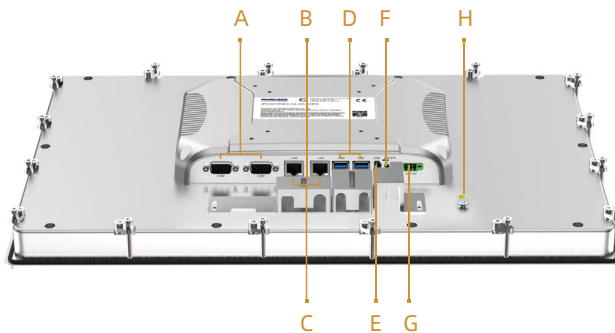
Model	IPC22150EX					
Processor	CPU	Intel®Celeron® processor J6412	Intel®Celeron® processor 3855U/3865	Intel®Core™i3 processor	Intel®Core™i5 processor	Intel®Core™i7 processor
	Frequency	Quad Core 2.0GHZ	Dual Core 1.6GHZ	Dual Core 2.3GHZ	Dual Core 2.8GHZ	Dual Core 3.1GHZ
	Cache	1.5MB	2MB	3MB	3MB	4MB
	Memory	DDR4 3200MT/s Max: 32GB	DDR4-1866/2133 Max: 32GB	DDR4-2133 Max: 32GB	DDR4-2133 Max: 32GB	DDR4-2133 Max: 32GB
Storage	1x2.5" SATA 3.0+1 x mSATA					
I/O	Network (LAN)	2xRS232/RS485 with surge protection, RS485 support automatic flow control				
	Audio	1xMin-Pcie X1, Support 4G LTE/WIFI/BT with Sim card slot				
	USB	4xUSB3.0				
	COM	2xRS232/RS485 with surge protection, RS485 support automatic flow control				
	Expansion Slot	1xMin-Pcie X1, Support 4G LTE/WIFI/BT with Sim card slot				
Routine	Product Attribute	Built-in aluminium magnesium explosion-proof control panel PC				
	Housing	Front panel & back cover:Aluminium-magnesium alloy				
	Mounting	Embedded, VESA 100 with waterproof nut				
Power	Input Voltage	DC 9~36V input				
	Power	36W				
Physical	Dimension (WxHxD)	376.8mm x 300.8mm x 70mm (14.83" x 11.84" x 2.76")				
	Open Size (WxH)	360.6mm x 285.7mm (14.20" x 11.25")				
	Net Weight(kg)	5.6kg				
LED	Display Type	15" XGA TFT				
	Resolution	1024 x 768				
	Colors	16.7M				
	Active Area (WxH)	304.1mm x 228.1mm (11.97" x 8.98")				
	Backlight	LED				
	MTBF (hour)	50000hrs				
	Pixel Pitch (HxV)	0.297 x 0.297				
	Luminance(cd/m2)	420cd/m2				
Touchscreen	Contrast Ratio	800:1				
	Viewing Angle	(L)80 / (R)80 / (U)80 / (D)80				
	Touch Type	Multi-point capacitive touchscreen				
	Light Transmission	>85%				
	Controller	USB interface				
	Driver Support	Windows7, Window8, Windows10, Windows11, Linux, etc				
	Multi-touch	10 points				
Environment	Surface Hardness	Capacitive touchscreen: Mohs' Number 7H				
	Operating Temperature	0~55°C				
	Storage Temperature	-20~60°C				
	Relative Humidity	5~95% (Non condensation)				
	Shock	Operating 10G peak acceleration(11 ms duration), follow IEC 60068-2-27				
	Vibration	Operating Random Vibration Test 5~500Hz, 1Grms@with HDD;2Grms@with SSD, follow IEC 60068-2-64				
Certification	EMC	CE/FCC Class A				
	Protection	All IP65 waterproof and dustproof				
		II 3 G Ex ec IIC T4 Gc				
		II 3 D Ex tc IIIC T135°C Dc				
	EN 60079-0:2018					
	EN 60079-7:2015					
	EN 60079-31:2014					

Technical Drawings unit: mm



Panel Cutout Dimensions: 360.6 x 285.7mm (14.20 x 11.25in)

External I/O View



Interface definition:

- A: 2 x COM (RS232/RS485)
- B: Audio output
- C: 2 x LAN
- D: 4 x USB
- E: 1 x HDMI
- F: Power switch
- G: DC IN
- H: GND

Ordering Information

Part Number	Description
IPC22150EX	15" TFT LCD / ATEX Capacitive touch panel PC / DC9~36V Input / Resolution 1024x768 / J6412 / 4G RAM / 128G mSATA / 2xLAN / 4xUSB / 1xHDMI

Optional Accessories

mSATA	128G / 256G / 512G / 1T
2.5" HDD	512G / 1T / 2T
RAM	4G / 8G / 16G / 32G

Packing List

Terminal	2-pin terminal
Terminal	3-pin terminal

Note: Package contents are subject to change without prior notice

Powerful. Beautiful.

Excellence · Innovation

IPC22156EX



Shanghai Panelmate Electronics Co., Ltd.

15.6" WXGA Industrial ATEX-Ex Panel PC

PanelMate's ATEX products have passed
ATEX EU explosion-proof certification



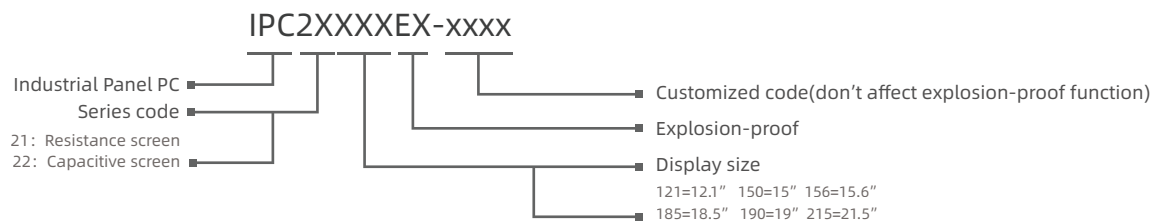
PANELMATE
Creative HMI Solution



Features

- Passed the ATEX-Ex EU protection certificate
- Display size: 12.1",15",15.6",18.5",19",21.5"
- Front panel/back cover: Aluminium-magnesium alloy
- Front panel/Rear: IP65 / IP65
- Screen Type: Multi-point capacitive touchscreen
- OS: Win7, Win8, Win10, Win11, Linux, etc
- Equipped with 2xIntel i210AT Gigabit network cards, 4xUSB ports
- Processor: Intel Celeron J6412 (don't support Win XP, Win7) /3855U/3865U and Intel skylake i3/i5/i7 multiple CPU optional
- Extendable WIFI/4G
- DC 9~36V

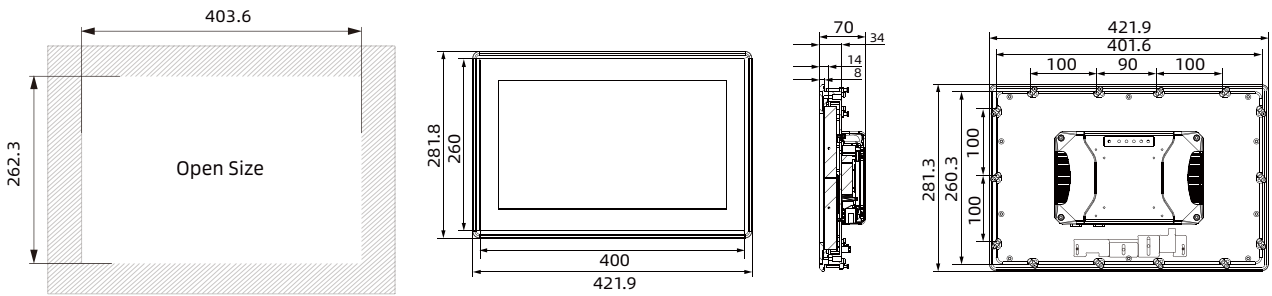
Namely Rule



Specifications

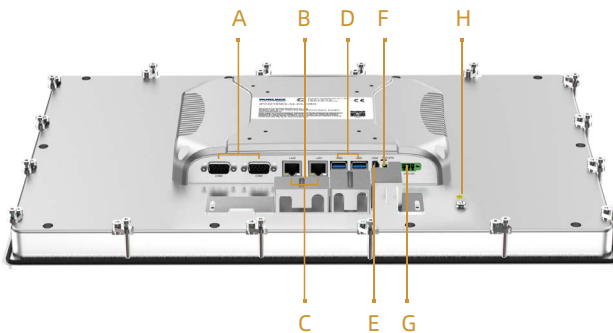
Model	IPC22156EX					
Processor	CPU	Intel®Celeron® processor J6412	Intel®Celeron® processor 3855U/3865	Intel®Core™i3 processor	Intel®Core™i5 processor	Intel®Core™i7 processor
	Frequency	Quad Core 2.0GHZ	Dual Core 1.6GHZ	Dual Core 2.3GHZ	Dual Core 2.8GHZ	Dual Core 3.1GHZ
	Cache	1.5MB	2MB	3MB	3MB	4MB
	Memory	DDR4 3200MT/s Max: 32GB	DDR4-1866/2133 Max: 32GB	DDR4-2133 Max: 32GB	DDR4-2133 Max: 32GB	DDR4-2133 Max: 32GB
I/O	Storage	1x2.5" SATA 3.0 +1 x mSATA				
	Network (LAN)	2xRS232/RS485 with surge protection, RS485 support automatic flow control				
	Audio	1xMin-Pcie X1, Support 4G LTE/WIFI/BT with Sim card slot				
	USB	4xUSB3.0				
	COM	2xRS232/RS485 with surge protection, RS485 support automatic flow control				
	Expansion Slot	1xMin-Pcie X1, Support 4G LTE/WIFI/BT with Sim card slot				
Routine	Rear I/O	1xHDMI/2xGLAN/4xUSB/2xCOM/AUDIO/DC IN/Power Switch				
	Product Attribute	Built-in aluminium magnesium explosion-proof control panel PC				
	Housing	Front panel & back cover:Aluminium-magnesium alloy				
Power	Mounting	Embedded, VESA 100 with waterproof nut				
	Rear I/O	HDMI				
Physical	Input Voltage	DC 9~36V input				
	Power	43W				
	Dimension (WxHxD)	421.9mm x 281.8mm x 70mm (16.61" x 11.09" x 2.76")				
	Open Size (WxH)	403.6mm x 262.3mm (15.89" x 10.33")				
LED	Net Weight(kg)	5.85kg				
	Display Type	15.6" WXGA TFT				
	Resolution	1366 x 768				
	Colors	16.7M				
	Active Area (WxH)	344.23mm x 193.54mm (13.55"x 7.62")				
	Backlight	LED				
	MTBF (hour)	50000hrs				
	Pixel Pitch (HxV)	0.252 x 0.252				
	Luminance(cd/m2)	300cd/m2				
	Contrast Ratio	500:1				
Touchscreen	Viewing Angle	(L)85 / (R)85 / (U)85 / (D)85				
	Touch Type	Multi-point capacitive touchscreen				
	Light Transmission	>85%				
	Controller	USB interface				
	Driver Support	Windows7, Window8, Windows10, Windows11, Linux, etc				
	Multi-touch	10 points				
Environment	Surface Hardness	Capacitive touchscreen: Mohs' Number 7H				
	Operating Temperature	0 ~ 55°C				
	Storage Temperature	-20 ~ 60°C				
	Relative Humidity	5~95% (Non condensation)				
	Shock	Operating 10G peak acceleration(11 ms duration), follow IEC 60068-2-27				
	Vibration	Operating Random Vibration Test 5~500Hz, 1Grms@with HDD;2Grms@with SSD, follow IEC 60068-2-64				
Certification	EMC	CE/FCC Class A				
	Protection	All IP65 waterproof and dustproof				
		II 3 G Ex ec IIC T4 Gc				
		II 3 D Ex tc IIC T135°C Dc				
		EN 60079-0:2018 EN 60079-7:2015 EN 60079-31:2014				

Technical Drawings unit: mm



Panel Cutout Dimensions: 403.6 x 262.3mm (15.89 x 10.33in)

External I/O View



Interface definition:

- A: 2 x COM (RS232/RS485)
- B: Audio output
- C: 2 x LAN
- D: 4 x USB
- E: 1 x HDMI
- F: Power switch
- G: DC IN
- H: GND

Ordering Information

Part Number	Description
IPC22156EX	15.6" TFT LCD / ATEX Capacitive touch panel PC / DC9~36V Input / Resolution 1366x768 / J6412 /4G RAM / 128G mSATA / 2xLAN / 4xUSB / 1xHDMI

Optional Accessories

mSATA	128G / 256G / 512G / 1T
2.5" HDD	512G / 1T / 2T
RAM	4G / 8G / 16G / 32G

Packing List

Terminal	2-pin terminal
Terminal	3-pin terminal

Note: Package contents are subject to change without prior notice

Powerful. Beautiful.

Excellence · Innovation

IPC22185EX



Shanghai Panelmate Electronics Co., Ltd.

18.5" WXGA Industrial ATEX-Ex Panel PC

PanelMate's ATEX products have passed
ATEX EU explosion-proof certification



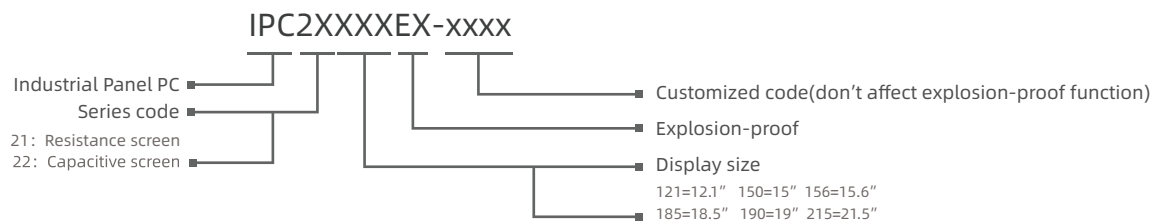
PANELMATE
Creative HMI Solution



Features

- Passed the ATEX-Ex EU protection certificate
- Display size: 12.1",15",15.6",18.5",19",21.5"
- Front panel/back cover: Aluminium-magnesium alloy
- Front panel/Rear: IP65 / IP65
- Screen Type: Multi-point capacitive touchscreen
- OS: Win7, Win8, Win10, Win11, Linux, etc
- Equipped with 2xIntel i210AT Gigabit network cards, 4xUSB ports
- Processor: Intel Celeron J6412 (don't support Win XP, Win7) /3855U/3865U and Intel skylake i3/i5/i7 multiple CPU optional
- Extendable WIFI/4G
- DC 9~36V

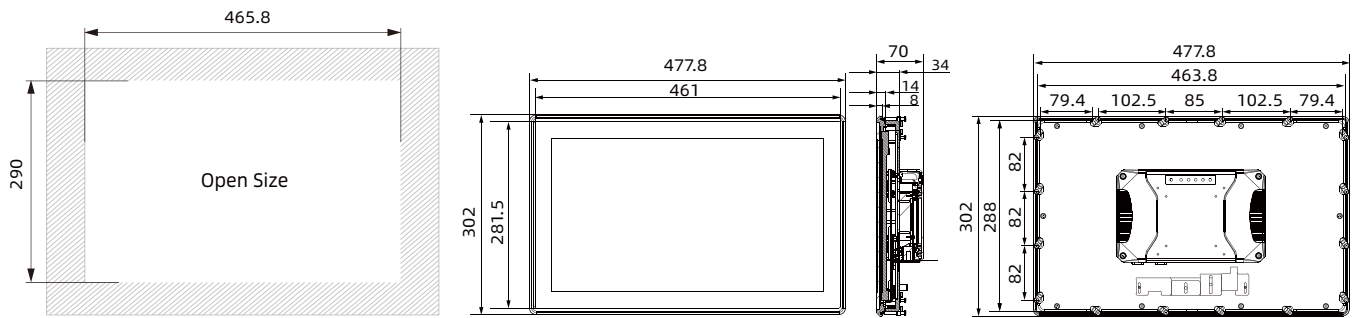
Namely Rule



Specifications

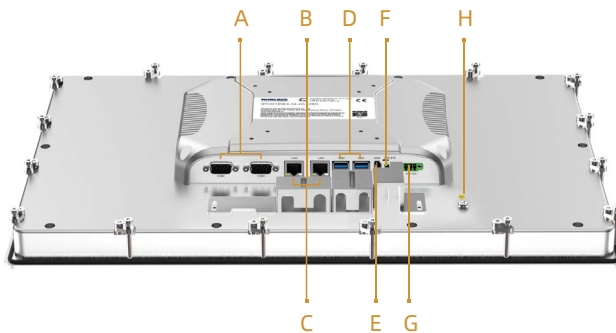
Model	IPC22185EX					
Processor	CPU	Intel®Celeron® processor J6412	Intel®Celeron® processor 3855U/3865	Intel®Core™i3 processor	Intel®Core™i5 processor	Intel®Core™i7 processor
	Frequency	Quad Core 2.0GHZ	Dual Core 1.6GHZ	Dual Core 2.3GHZ	Dual Core 2.8GHZ	Dual Core 3.1GHZ
	Cache	1.5MB	2MB	3MB	3MB	4MB
	Memory	DDR4 3200MT/s Max: 32GB	DDR4-1866/2133 Max: 32GB	DDR4-2133 Max: 32GB	DDR4-2133 Max: 32GB	DDR4-2133 Max: 32GB
Storage	1x2.5" SATA 3.0+1 x mSATA					
I/O	Network (LAN)	2xRS232/RS485 with surge protection, RS485 support automatic flow control				
	Audio	1xMin-Pcie X1, Support 4G LTE/WIFI/BT with Sim card slot				
	USB	4xUSB3.0				
	COM	2xRS232/RS485 with surge protection, RS485 support automatic flow control				
	Expansion Slot	1xMin-Pcie X1, Support 4G LTE/WIFI/BT with Sim card slot				
Routine	Product Attribute	Built-in aluminium magnesium explosion-proof control panel PC				
	Housing	Front panel & back cover:Aluminium-magnesium alloy				
	Mounting	Embedded, VESA 100 with waterproof nut				
Power	Input Voltage	DC 9~36V input				
	Power	41W				
Physical	Dimension (WxHxD)	477.8mm x 302mm x 70mm (18.81" x 11.89" x 2.76")				
	Open Size (WxH)	465.8mm x 290mm (18.34" x 11.42")				
	Net Weight(kg)	6.4kg				
	Display Type	18.5" WXGA TFT				
LED	Resolution	1366 x 768				
	Colors	16.7M				
	Active Area (WxH)	409.8mm x 230.4mm (16.13" x 9.07")				
	Backlight	LED				
	MTBF (hour)	30000hrs				
	Pixel Pitch (HxV)	0.3 x 0.3				
	Luminance(cd/m2)	500cd/m2				
	Contrast Ratio	1000:1				
Touchscreen	Viewing Angle	(L)89 / (R)89 / (U)89 / (D)89				
	Touch Type	Multi-point capacitive touchscreen				
	Light Transmission	>85%				
	Controller	USB interface				
	Driver Support	Windows7, Window8, Windows10, Windows11, Linux, etc				
	Multi-touch	10 points				
Environment	Surface Hardness	Capacitive touchscreen: Mohs' Number 7H				
	Operating Temperature	0 ~ 55°C				
	Storage Temperature	-20 ~ 60°C				
	Relative Humidity	5~95% (Non condensation)				
	Shock	Operating 10G peak acceleration(11 ms duration), follow IEC 60068-2-27				
	Vibration	Operating Random Vibration Test 5~500Hz, 1Grms@with HDD;2Grms@with SSD, follow IEC 60068-2-64				
	EMC	CE/FCC Class A				
Certification	Protection	All IP65 waterproof and dustproof				
		II 3 G Ex ec IIC T4 Gc				
		II 3 D Ex tc IIIC T135°C Dc				
		EN 60079-0:2018 EN 60079-7:2015 EN 60079-31:2014				

Technical Drawings unit: mm



Panel Cutout Dimensions: 465.8 x 290mm (18.34 x 11.42in)

External I/O View



Interface definition:

- A: 2 x COM (RS232/RS485)
- B: Audio output
- C: 2 x LAN
- D: 4 x USB
- E: 1 x HDMI
- F: Power switch
- G: DC IN
- H: GND

Ordering Information

Part Number	Description
IPC22185EX	18.5" TFT LCD / ATEX Capacitive touch panel PC / DC9~36V Input / Resolution 1366x768 / J6412 /4G RAM / 128G mSATA / 2xLAN / 4xUSB / 1xHDMI

Optional Accessories

mSATA	128G / 256G / 512G / 1T
2.5" HDD	512G / 1T / 2T
RAM	4G / 8G / 16G / 32G

Packing List

Terminal	2-pin terminal
Terminal	3-pin terminal

Note: Package contents are subject to change without prior notice

Powerful. Beautiful.

Excellence · Innovation

IPC22190EX



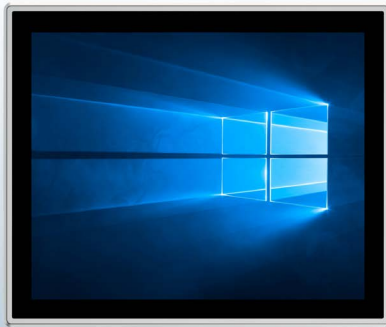
Shanghai Panelmate Electronics Co., Ltd.

19" SXGA Industrial ATEX-Ex Panel PC

PanelMate's ATEX products have passed
ATEX EU explosion-proof certification



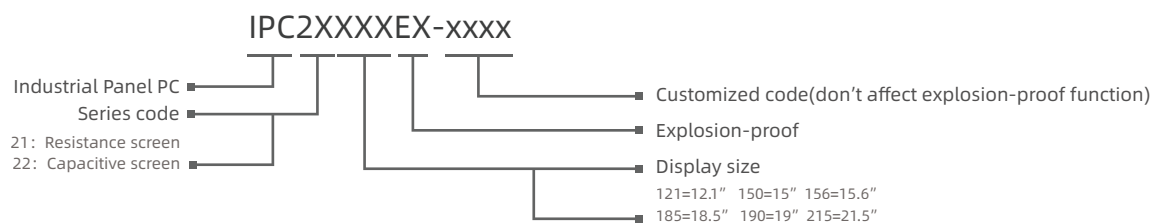
PANELMATE
Creative HMI Solution



Features

- Passed the ATEX-Ex EU protection certificate
- Display size: 12.1",15",15.6",18.5",19",21.5"
- Front panel/back cover: Aluminium-magnesium alloy
- Front panel/Rear: IP65 / IP65
- Screen Type: Multi-point capacitive touchscreen
- OS: Win7, Win8, Win10, Win11, Linux, ect
- Equipped with 2xIntel i210AT Gigabit network cards, 4xUSB ports
- Processor: Intel Celeron J6412 (don't support Win XP, Win7) /3855U/3865U and Intel skylake i3/i5/i7 multiple CPU optional
- Extendable WIFI/4G
- DC 9~36V

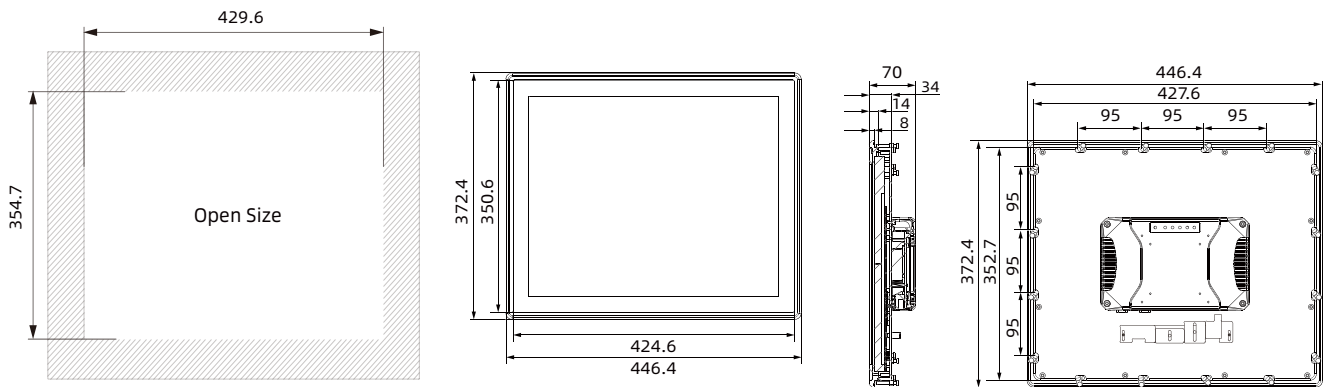
Namely Rule



Specifications

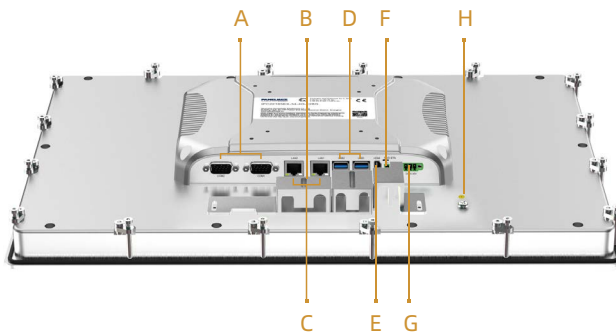
Model	IPC22190EX					
Processor	CPU	Intel®Celeron® processor J6412	Intel®Celeron® processor 3855U/3865	Intel®Core™i3 processor	Intel®Core™i5 processor	Intel®Core™i7 processor
	Frequency	Quad Core 2.0GHZ	Dual Core 1.6GHZ	Dual Core 2.3GHZ	Dual Core 2.8GHZ	Dual Core 3.1GHZ
	Cache	1.5MB	2MB	3MB	3MB	4MB
	Memory	DDR4 3200MT/s Max: 32GB	DDR4-1866/2133 Max: 32GB	DDR4-2133 Max: 32GB	DDR4-2133 Max: 32GB	DDR4-2133 Max: 32GB
I/O	Storage	1x2.5" SATA 3.0+1 x mSATA				
	Network (LAN)	2xRS232/RS485 with surge protection, RS485 support automatic flow control				
	Audio	1xMin-Pcie X1, Support 4G LTE/WIFI/BT with Sim card slot				
	USB	4xUSB3.0				
	COM	2xRS232/RS485 with surge protection, RS485 support automatic flow control				
	Expansion Slot	1xMin-Pcie X1, Support 4G LTE/WIFI/BT with Sim card slot				
Routine	Rear I/O	1xHDMI/2xGLAN/4xUSB/2xCOM/AUDIO/DC IN/Power Switch				
	Product Attribute	Built-in aluminium magnesium explosion-proof control panel PC				
	Housing	Front panel & back cover:Aluminium-magnesium alloy				
Power	Mounting	Embedded, VESA 100 with waterproof nut				
	Rear I/O	HDMI				
Physical	Input Voltage	DC 9~36V input				
	Power	39W				
	Dimension (WxHxD)	446.4mm x 372.4mm x 70mm (17.57" x 14.66" x 2.76")				
	Open Size (WxH)	429.6mm x 354.7mm (16.91" x 13.96")				
LED	Net Weight(kg)	7.05kg				
	Display Type	19" SXGA TFT				
	Resolution	1280 x 1024				
	Colors	16.7M				
	Active Area (WxH)	376.32mm x 301.06mm (14.82" x 11.85")				
	Backlight	LED				
	MTBF (hour)	30000hrs				
	Pixel Pitch (HxV)	0.294 x 0.294				
	Luminance(cd/m2)	250cd/m2				
Touchscreen	Contrast Ratio	1000: 1				
	Viewing Angle	(L)85 / (R)85 / (U)80 / (D)80				
	Touch Type	Multi-point capacitive touchscreen				
	Light Transmission	>85%				
	Controller	USB interface				
	Driver Support	Windows7, Window8, Windows10, Windows11, Linux, etc				
Environment	Multi-touch	10 points				
	Surface Hardness	Capacitive touchscreen: Mohs' Number 7H				
	Operating Temperature	0 ~ 55°C				
	Storage Temperature	-20 ~ 60°C				
Certification	Relative Humidity	5~95% (Non condensation)				
	Shock	Operating 10G peak acceleration(11 ms duration), follow IEC 60068-2-27				
	Vibration	Operating Random Vibration Test 5~500Hz, 1Grms@with HDD;2Grms@with SSD, follow IEC 60068-2-64				
	EMC	CE/FCC Class A				
	Protection	All IP65 waterproof and dustproof				
Certification		II 3 G Ex ec IIC T4 Gc				
		II 3 D Ex tc IIIC T135°C Dc				
		EN 60079-0:2018				
		EN 60079-7:2015				
	EN 60079-31:2014					

Technical Drawings unit: mm



Panel Cutout Dimensions: 429.6 x 354.7mm (16.91 x 13.96in)

External I/O View



Interface definition:

- A: 2 x COM (RS232/RS485)
- B: Audio output
- C: 2 x LAN
- D: 4 x USB
- E: 1 x HDMI
- F: Power switch
- G: DC IN
- H: GND

Ordering Information

Part Number	Description
IPC22190EX	19" TFT LCD / ATEX Capacitive touch panel PC / DC9~36V Input / Resolution 1280 x1024 / J6412 /4G RAM / 128G mSATA / 2xLAN / 4xUSB / 1xHDMI

Optional Accessories

mSATA	128G / 256G / 512G / 1T
2.5" HDD	512G / 1T / 2T
RAM	4G / 8G / 16G / 32G

Packing List

Terminal	2-pin terminal
Terminal	3-pin terminal

Note: Package contents are subject to change without prior notice

Powerful. Beautiful.

Excellence · Innovation

IPC22215EX



Shanghai Panelmate Electronics Co., Ltd.

21.5" FHD Industrial ATEX-Ex Panel PC

PanelMate's ATEX products have passed
ATEX EU explosion-proof certification



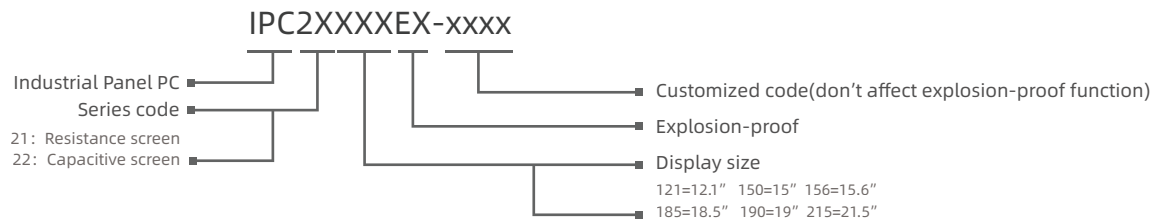
PANELMATE
Creative HMI Solution



Features

- Passed the ATEX-Ex EU protection certificate
- Display size: 12.1",15",15.6",18.5",19",21.5"
- Front panel/back cover: Aluminium-magnesium alloy
- Front panel/Rear: IP65 / IP65
- Screen Type: Multi-point capacitive touchscreen
- OS: Win7, Win8, Win10, Win11, Linux, ect
- Equipped with 2xIntel i210AT Gigabit network cards, 4xUSB ports
- Processor: Intel Celeron J6412 (don't support Win XP, Win7) /3855U/3865U and Intel skylake i3/i5/i7 multiple CPU optional
- Extendable WIFI/4G
- DC 9~36V

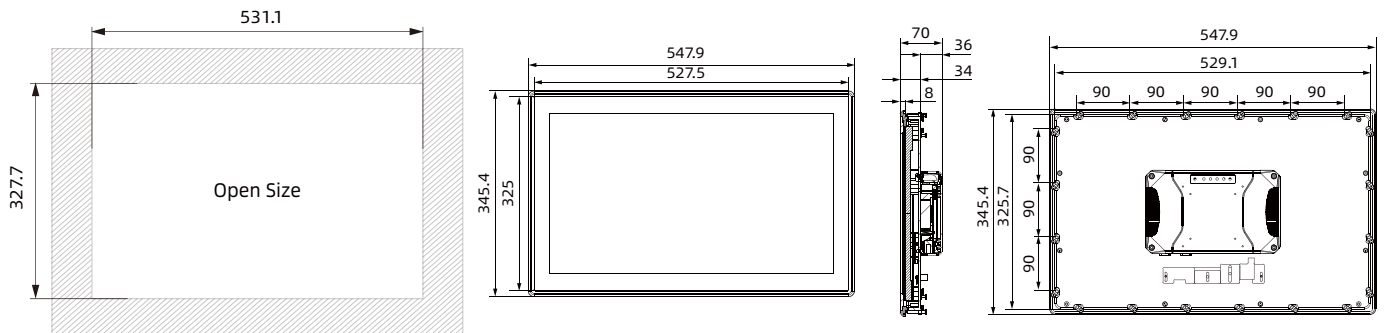
Namely Rule



Specifications

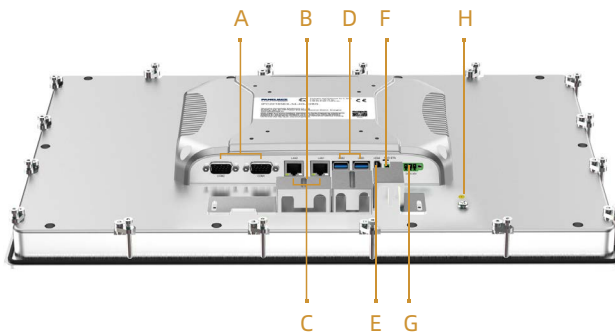
Model	IPC22215EX					
Processor	CPU	Intel®Celeron® processor J6412	Intel®Celeron® processor 3855U/3865	Intel®Core™i3 processor	Intel®Core™i5 processor	Intel®Core™i7 processor
	Frequency	Quad Core 2.0GHZ	Dual Core 1.6GHZ	Dual Core 2.3GHZ	Dual Core 2.8GHZ	Dual Core 3.1GHZ
	Cache	1.5MB	2MB	3MB	3MB	4MB
	Memory	DDR4 3200MT/s Max: 32GB	DDR4-1866/2133 Max: 32GB	DDR4-2133 Max: 32GB	DDR4-2133 Max: 32GB	DDR4-2133 Max: 32GB
Storage	1x2.5" SATA 3.0 +1 x mSATA					
I/O	Network (LAN)	2xRS232/RS485 with surge protection, RS485 support automatic flow control				
	Audio	1xMin-Pcie X1, Support 4G LTE/WIFI/BT with Sim card slot				
	USB	4xUSB3.0				
	COM	2xRS232/RS485 with surge protection, RS485 support automatic flow control				
	Expansion Slot	1xMin-Pcie X1, Support 4G LTE/WIFI/BT with Sim card slot				
Routine	Product Attribute	Built-in aluminium magnesium explosion-proof control panel PC				
	Housing	Front panel & back cover:Aluminium-magnesium alloy				
	Mounting	Embedded, VESA 100 with waterproof nut				
Power	Input Voltage	DC 9~36V input				
	Power	45W				
Physical	Dimension (WxHxD)	547.9mm x 345.4mm x70mm (21.57" x 13.60" x 2.76")				
	Open Size (WxH)	531.1mm x 327.7mm (20.91" x 12.90")				
	Net Weight(kg)	7.1kg				
LED	Display Type	21.5" FHD TFT				
	Resolution	1920 x 1080				
	Colors	16.7M				
	Active Area (WxH)	476.64mm x 268.11mm (18.77" x 10.56")				
	Backlight	LED				
	MTBF (hour)	30000hrs				
	Pixel Pitch (HxV)	0.24825 x 0.24825				
	Luminance(cd/m2)	300cd/m2				
Touchscreen	Touch Type	Multi-point capacitive touchscreen				
	Light Transmission	>85%				
	Controller	USB interface				
	Driver Support	Windows7, Window8, Windows10, Windows11, Linux, etc				
	Multi-touch	10 points				
	Surface Hardness	Capacitive touchscreen: Mohs' Number 7H				
	Environment	Operating Temperature	0 ~ 55°C			
Storage Temperature		-20 ~ 60°C				
Relative Humidity		5~95% (Non condensation)				
Shock		Operating 10G peak acceleration(11 ms duration), follow IEC 60068-2-27				
Vibration		Operating Random Vibration Test 5~500Hz, 1Grms@with HDD;2Grms@with SSD, follow IEC 60068-2-64				
Certification	EMC	CE/FCC Class A				
	Protection	All IP65 waterproof and dustproof				
		II 3 G Ex ec IIC T4 Gc				
		II 3 D Ex tc IIIC T135°C Dc				
	EN 60079-0:2018					
	EN 60079-7:2015					
	EN 60079-31:2014					

Technical Drawings unit: mm



Panel Cutout Dimensions: 531.1 x 327.7mm (20.91 x 12.90in)

External I/O View



Interface definition:

- A: 2 x COM (RS232/RS485)
- B: Audio output
- C: 2 x LAN
- D: 4 x USB
- E: 1 x HDMI
- F: Power switch
- G: DC IN
- H: GND

Ordering Information

Part Number	Description
IPC22215EX	21.5" TFT LCD / ATEX Capacitive touch panel PC / DC9~36V Input / Resolution 1920x1080 / J6412 /4G RAM / 128G mSATA / 2xLAN / 4xUSB / 1xHDMI

Optional Accessories

mSATA	128G / 256G / 512G / 1T
2.5" HDD	512G / 1T / 2T
RAM	4G / 8G / 16G / 32G

Packing List

Terminal	2-pin terminal
Terminal	3-pin terminal

Note: Package contents are subject to change without prior notice

PANELMATE

Creative HMI Solution



Panelmate Türkiye Distribütörü
ICC Dijital Endüstriyel Teknolojiler Ltd. Şti.

 **+90 216 510 6696**

Osmangazi Mahallesi Atayolu Caddesi No:108 Gate Of Anatolia Ticari Blok Ofis 1
Sancaktepe / İstanbul / Türkiye